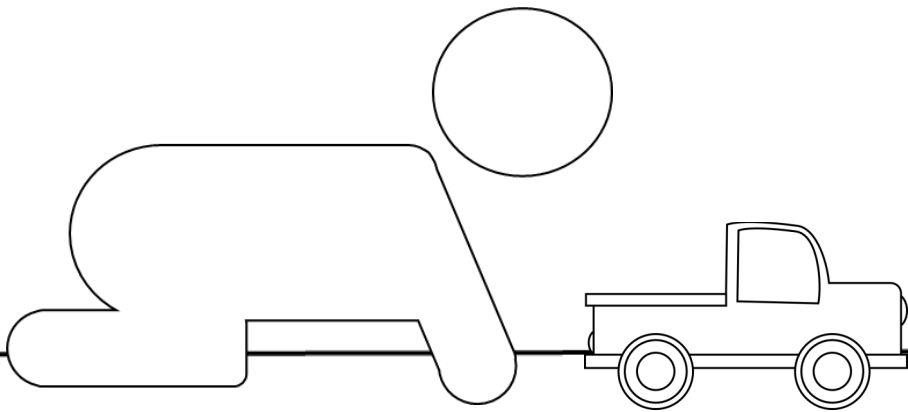
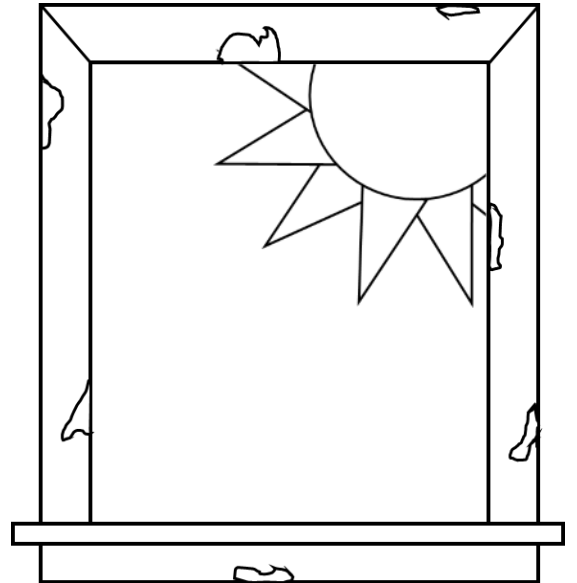


Lead Poisoning is 100% Preventable!

How to Protect Your Child

Ask your child's doctor about getting their blood lead levels tested.

Test your home for the presence of lead dust. To obtain a FREE lead dust test kit visit www.maine.gov/healthyhomes



Lead Testing Wallet Card

Keep track of your child's and home's lead levels. Cut this card out to keep in your wallet. Use it to record your child's blood lead levels provided by your doctor. Also, record the levels of lead dust in your home. Remember to test your home every time you move. Be sure to ask what the lead levels mean and what you can do to protect your child from lead poisoning.

For more information visit: www.maine.gov/healthyhomes

 **Lead Free Kids**

Child's Name: _____

Date of Birth: _____

Blood Test Date: _____ Lead Level: _____

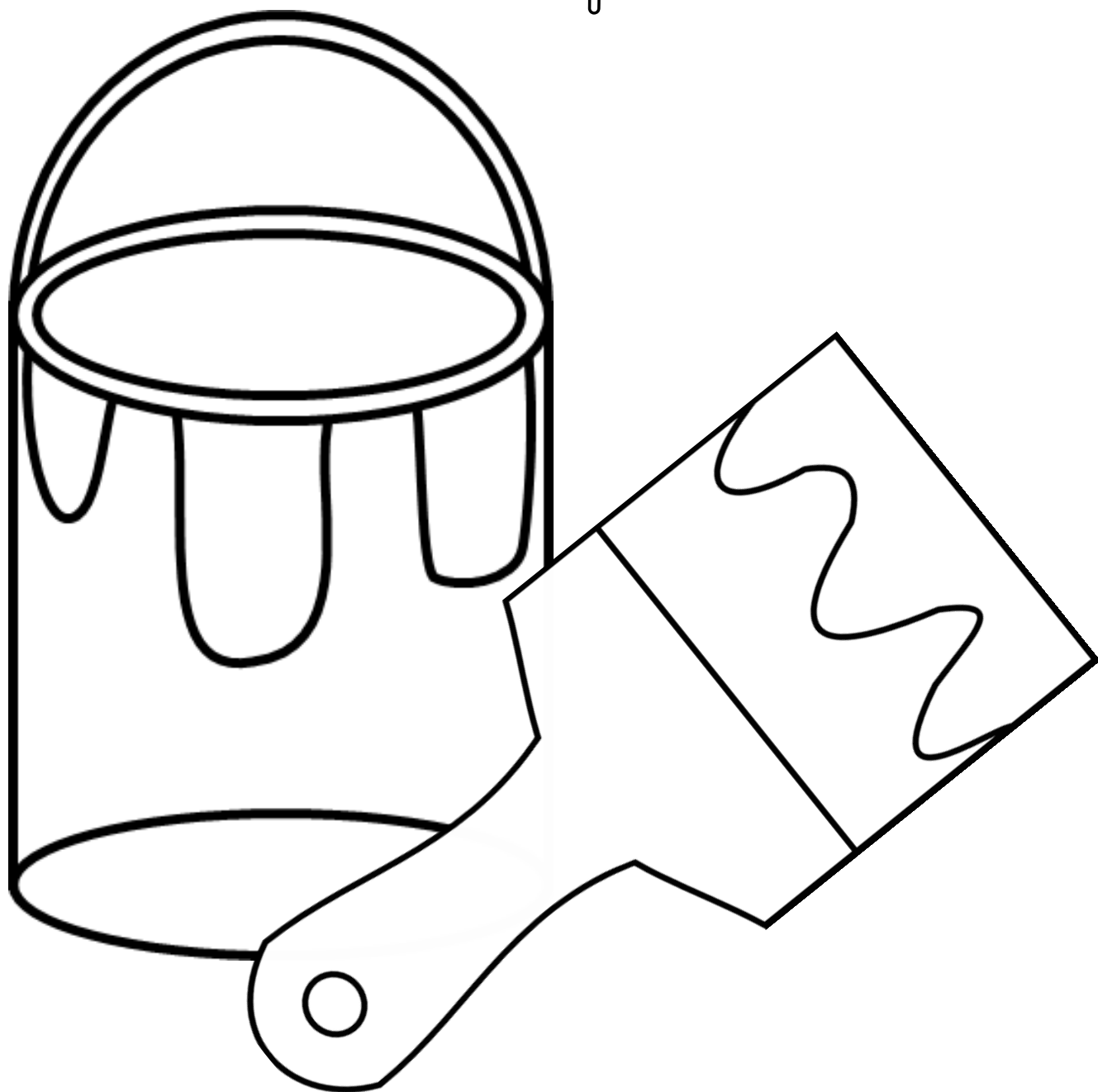
Blood Test Date: _____ Lead Level: _____

Blood Test Date: _____ Lead Level: _____

Lead Dust Test Date: _____ Lead Level: _____

Help Prevent Childhood Lead Poisoning

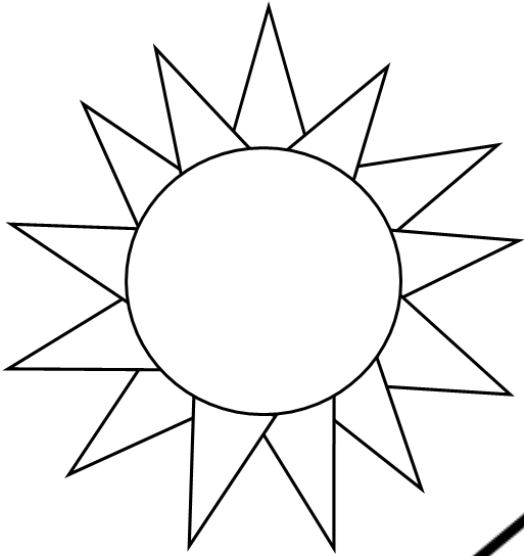
The #1 source of lead poisoning in Maine is lead dust from old paint.



To reduce the risk keep paint in good condition.
Check regularly for chipping and peeling paint.

Older buildings may contain lead based paint.

Houses built before 1978,
especially those build before
1950 are most at risk for having
lead based paint.



Keep the areas where you
child plays clean.

Clean the floors and window
sills with warm soapy water
weekly.

