



RANSOM Consulting Engineers and Scientists

WOODARD & CURRAN
 41 Hutchins Drive
 Portland, Maine 04102
 800.426.4262 | www.woodardcurran.com
 COMMITMENT & INTEGRITY DRIVE RESULTS

REV	DESCRIPTION	DATE
0	ISSUED FOR PERMIT	5-14-19

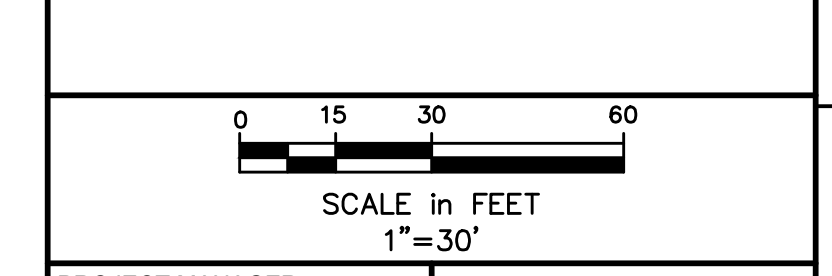
ISSUED FOR PERMIT
 5-14-19
 CURRENT ISSUE STATUS:

TRUE NORTH:
 SMRT Architects and Engineers
 144 Fore Street
 Portland, Maine 04104
 1.877.700.7678
 www.smrtinc.com

ARCHITECTURE | ENGINEERING | PLANNING | INTERIORS | ENERGY **SMRT**

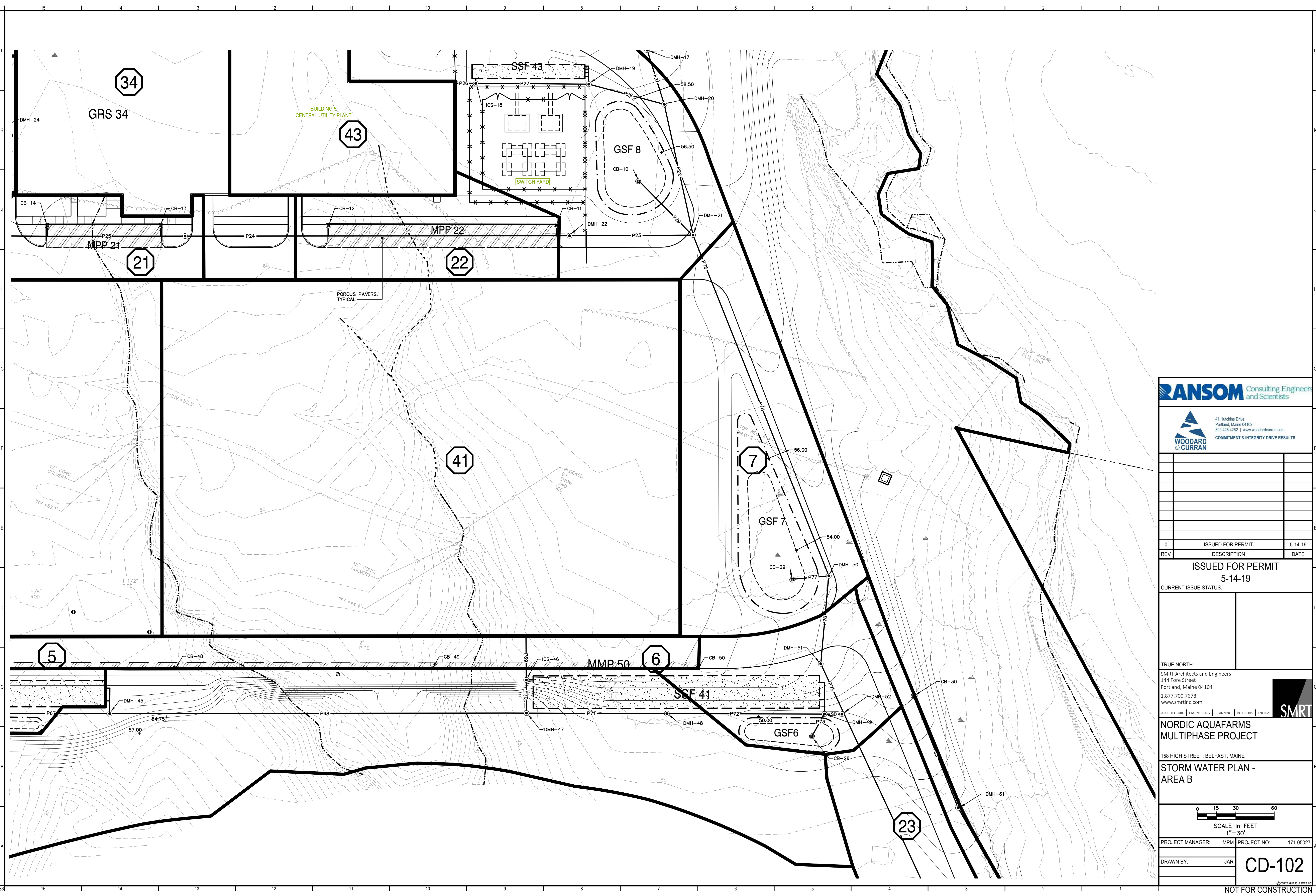
**NORDIC AQUAFARMS
 MULTIPHASE PROJECT**

158 HIGH STREET, BELFAST, MAINE
**STORMWATER PLAN -
 AREA A**



PROJECT MANAGER: MPM PROJECT NO: 171.05027
 DRAWN BY: JAR **CQ-101**

NOT FOR CONSTRUCTION



RANSOM Consulting Engineers and Scientists

WOODARD & CURRAN
 41 Hutchins Drive
 Portland, Maine 04102
 800.426.4262 | www.woodardcurran.com
 COMMITMENT & INTEGRITY DRIVE RESULTS

REV	DESCRIPTION	DATE
0	ISSUED FOR PERMIT	5-14-19

ISSUED FOR PERMIT
5-14-19

CURRENT ISSUE STATUS:

TRUE NORTH:
 SMRT Architects and Engineers
 144 Fore Street
 Portland, Maine 04104
 1.877.700.7678
 www.smrtinc.com

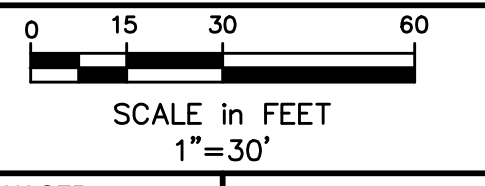
ARCHITECTURE | ENGINEERING | PLANNING | INTERIORS | ENERGY **SMRT**

**NORDIC AQUAFARMS
 MULTIPHASE PROJECT**
 158 HIGH STREET, BELFAST, MAINE

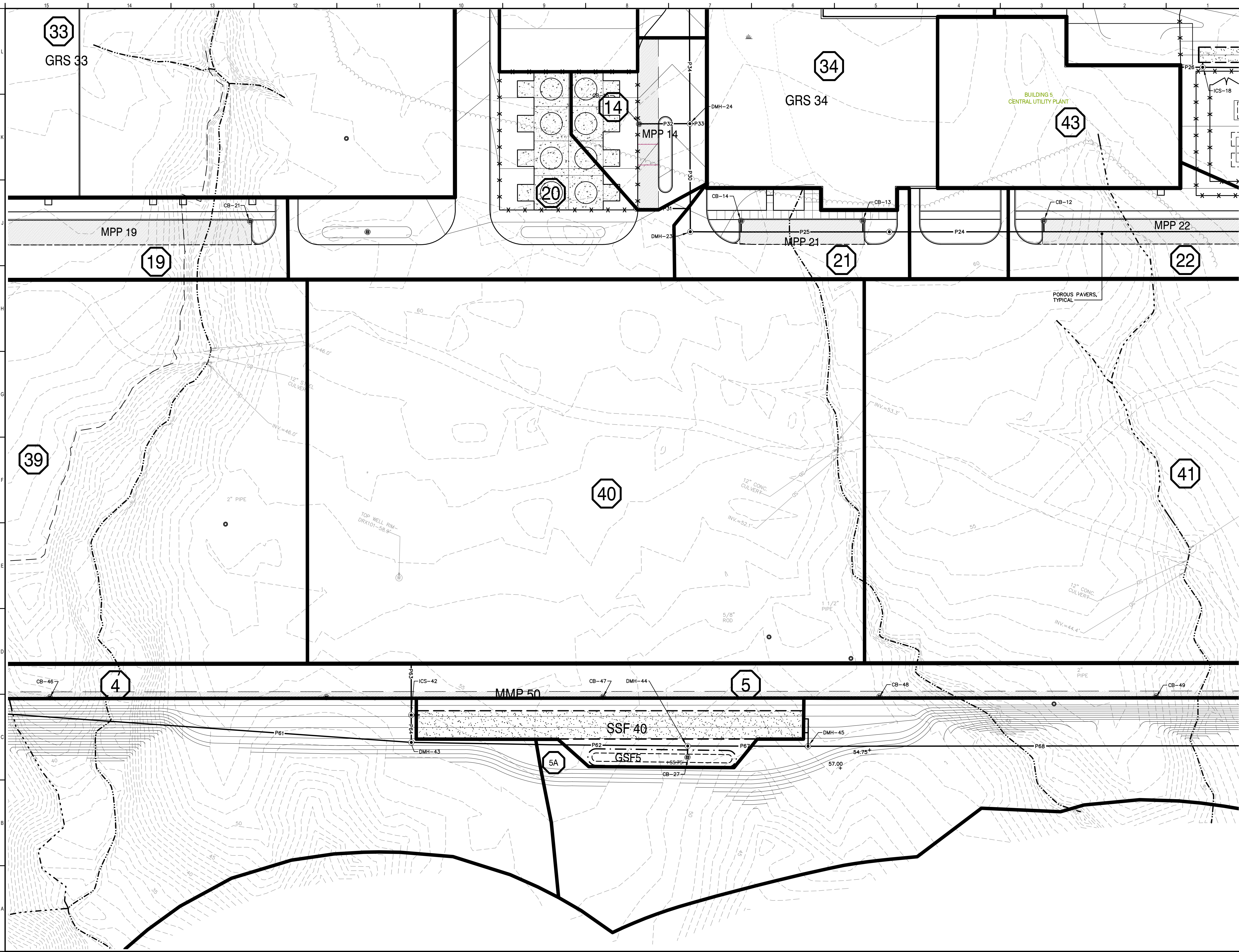
**STORM WATER PLAN -
 AREA B**

PROJECT MANAGER: MPM PROJECT NO: 171.05027
 DRAWN BY: JAR

CD-102



NOT FOR CONSTRUCTION



RANSOM Consulting Engineers and Scientists

WOODARD & CURRAN
 41 Hutchins Drive
 Portland, Maine 04102
 800.426.4262 | www.woodardcurran.com
 COMMITMENT & INTEGRITY DRIVE RESULTS

REV	DESCRIPTION	DATE
0	ISSUED FOR PERMIT	5-14-19

ISSUED FOR PERMIT
5-14-19
CURRENT ISSUE STATUS:

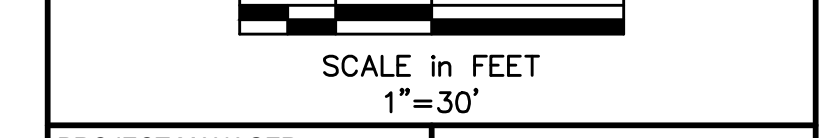
--	--

TRUE NORTH:
 SMRT Architects and Engineers
 144 Fore Street
 Portland, Maine 04104
 1.877.700.7678
 www.smrtinc.com

ARCHITECTURE | ENGINEERING | PLANNING | INTERIORS | ENERGY **SMRT**

**NORDIC AQUAFARMS
 MULTIPHASE PROJECT**

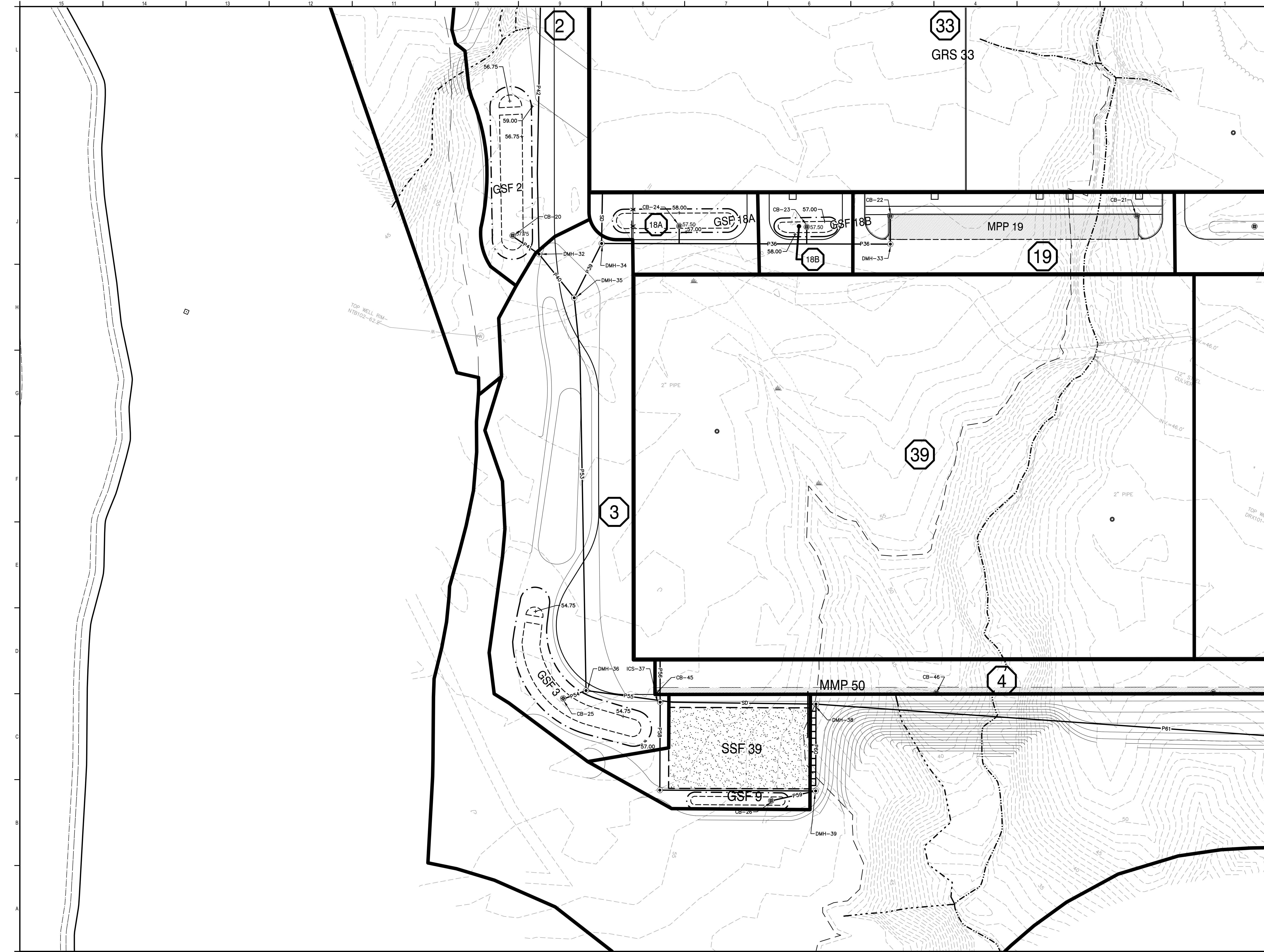
158 HIGH STREET, BELFAST, MAINE
**STORM WATER PLAN -
 AREA C**



PROJECT MANAGER: MPM PROJECT NO: 171.05027

DRAWN BY: JAR **CD-103**

NOT FOR CONSTRUCTION



RANSOM Consulting Engineers and Scientists

WOODARD & CURRAN
 41 Hutchins Drive
 Portland, Maine 04102
 800.426.4262 | www.woodardcurran.com
 COMMITMENT & INTEGRITY DRIVE RESULTS

REV	DESCRIPTION	DATE
0	ISSUED FOR PERMIT	5-14-19

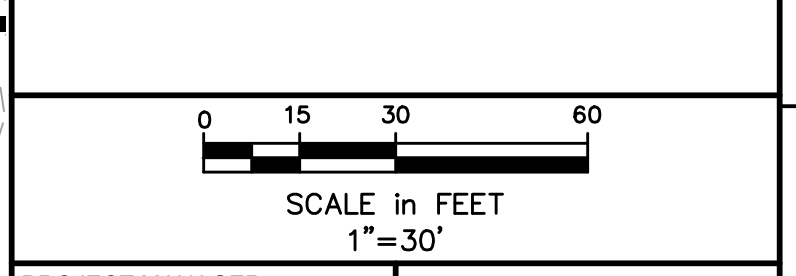
ISSUED FOR PERMIT
5-14-19
CURRENT ISSUE STATUS:

--	--

TRUE NORTH:
 SMRT Architects and Engineers
 144 Fore Street
 Portland, Maine 04104
 1.877.700.7678
 www.smrtinc.com
 ARCHITECTURE | ENGINEERING | PLANNING | INTERIORS | ENERGY **SMRT**

**NORDIC AQUAFARMS
 MULTIPHASE PROJECT**

158 HIGH STREET, BELFAST, MAINE
**STORM WATER PLAN -
 AREA D**



PROJECT MANAGER: MPM PROJECT NO: 171.05027

DRAWN BY: JAR **CD-104**



RANSOM Consulting Engineers and Scientists

WOODARD & CURRAN
 41 Hutchins Drive
 Portland, Maine 04102
 800.426.4262 | www.woodardcurran.com
 COMMITMENT & INTEGRITY DRIVE RESULTS

REV	DESCRIPTION	DATE
0	ISSUED FOR PERMIT	5-14-19

ISSUED FOR PERMIT
 5-14-19

CURRENT ISSUE STATUS:

TRUE NORTH:
 SMRT Architects and Engineers
 144 Fore Street
 Portland, Maine 04104
 1.877.700.7678
 www.smrtinc.com

ARCHITECTURE | ENGINEERING | PLANNING | INTERIORS | ENERGY **SMRT**

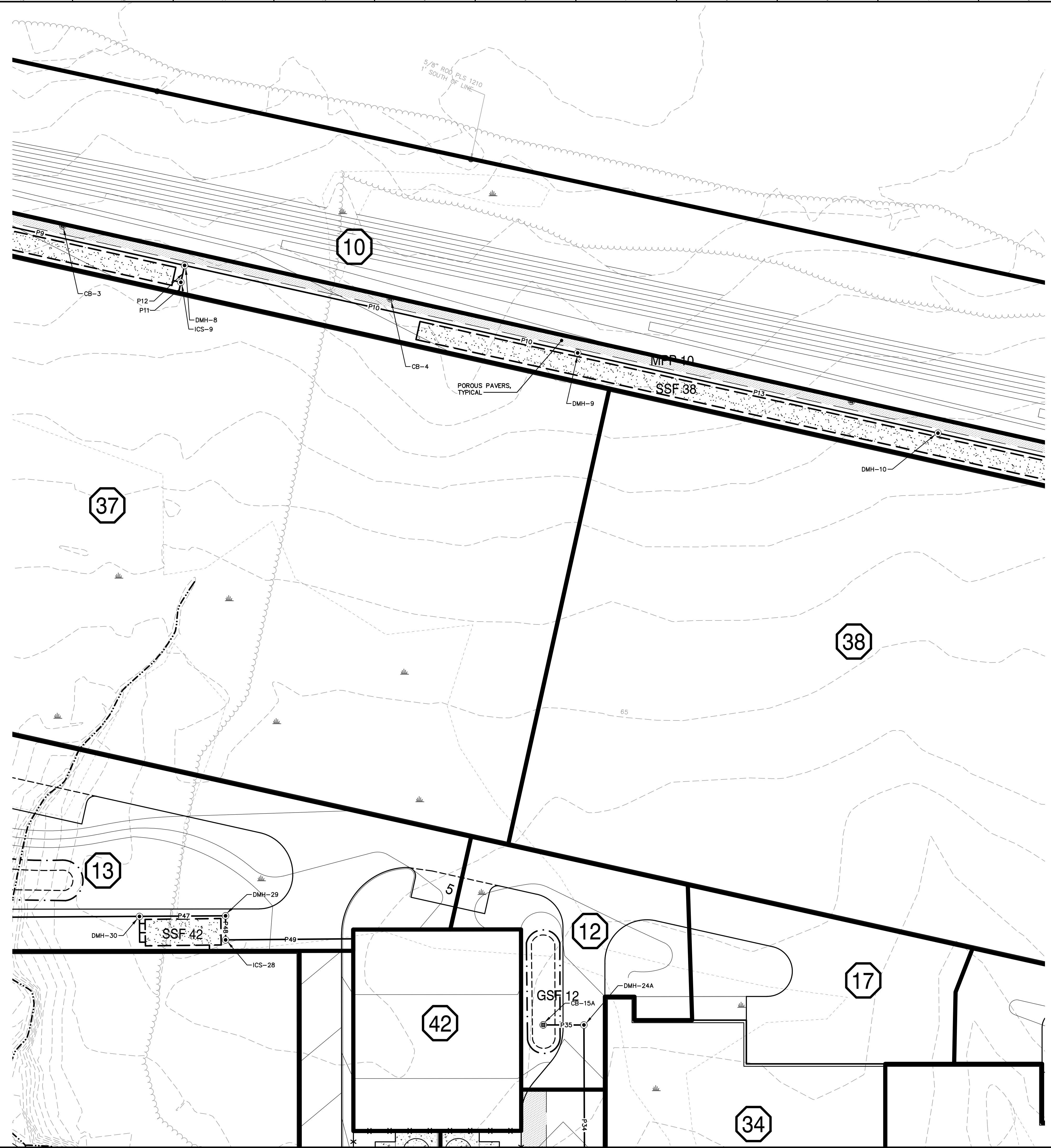
**NORDIC AQUAFARMS
 MULTIPHASE PROJECT**
 158 HIGH STREET, BELFAST, MAINE

**STORM WATER PLAN -
 AREA E**

SCALE in FEET
 1" = 30'

PROJECT MANAGER: MPM PROJECT NO: 171.05027
 DRAWN BY: JAR **CD-105**

NOT FOR CONSTRUCTION



RANSOM Consulting Engineers and Scientists

WOODARD & CURRAN
 41 Hutchins Drive
 Portland, Maine 04102
 800.426.4262 | www.woodardcurran.com
 COMMITMENT & INTEGRITY DRIVE RESULTS

REV	DESCRIPTION	DATE
0	ISSUED FOR PERMIT	5-14-19

ISSUED FOR PERMIT
5-14-19

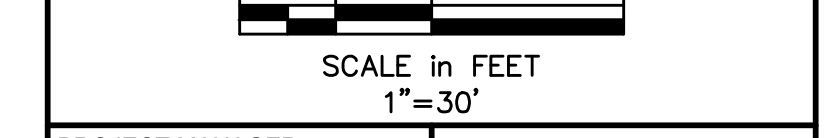
CURRENT ISSUE STATUS:

TRUE NORTH:
 SMRT Architects and Engineers
 144 Fore Street
 Portland, Maine 04104
 1.877.700.7678
 www.smrtinc.com

ARCHITECTURE | ENGINEERING | PLANNING | INTERIORS | ENERGY **SMRT**

**NORDIC AQUAFARMS
 MULTIPHASE PROJECT**

158 HIGH STREET, BELFAST, MAINE
**STORM WATER PLAN -
 AREA F**



PROJECT MANAGER: MPM PROJECT NO: 171.05027

DRAWN BY: JAR **CD-106**

NOT FOR CONSTRUCTION



RANSOM Consulting Engineers and Scientists

WOODARD & CURRAN
 41 Hutchins Drive
 Portland, Maine 04102
 800.426.4262 | www.woodardcurran.com
 COMMITMENT & INTEGRITY DRIVE RESULTS

REV	DESCRIPTION	DATE
0	ISSUED FOR PERMIT	5-14-19

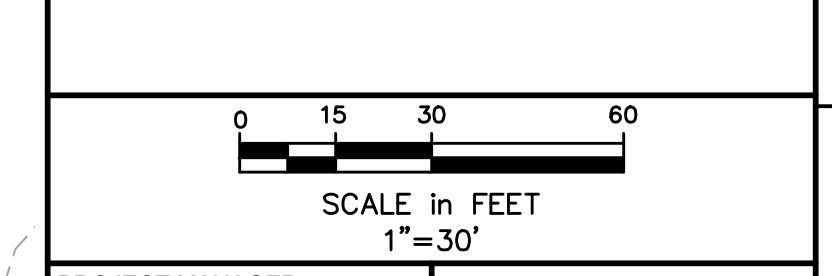
ISSUED FOR PERMIT
 5-14-19
 CURRENT ISSUE STATUS:

TRUE NORTH:
 SMRT Architects and Engineers
 144 Fore Street
 Portland, Maine 04104
 1.877.700.7678
 www.smrtinc.com

ARCHITECTURE | ENGINEERING | PLANNING | INTERIORS | ENERGY **SMRT**

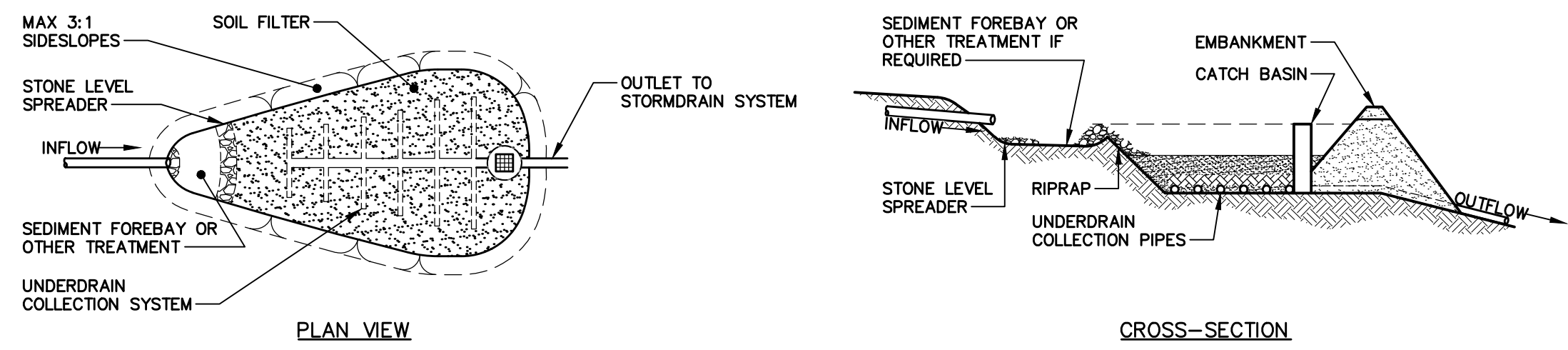
**NORDIC AQUAFARMS
 MULTIPHASE PROJECT**

158 HIGH STREET, BELFAST, MAINE
**STORM WATER PLAN -
 AREA G**

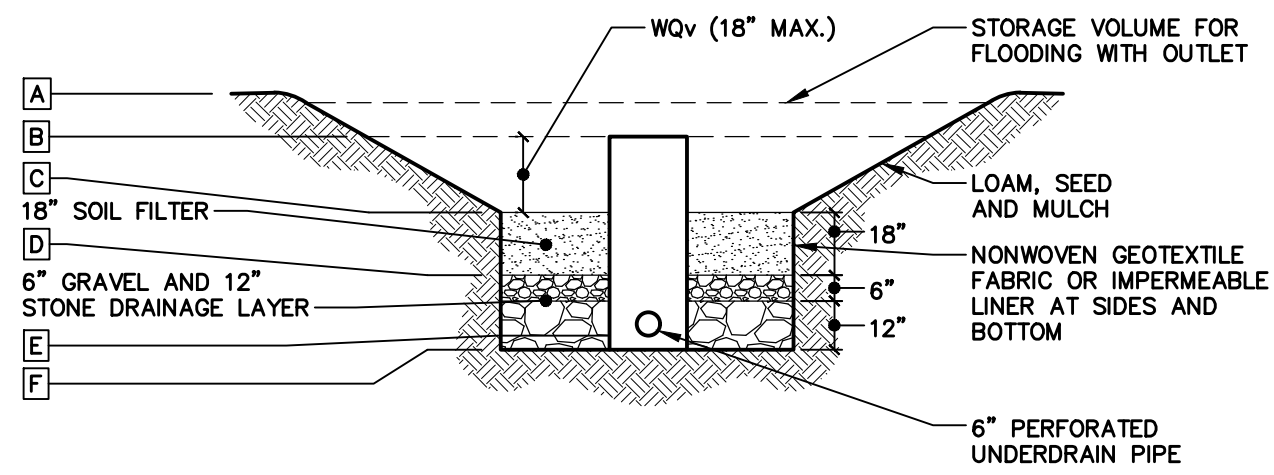


PROJECT MANAGER: MPM PROJECT NO: 171.05027
 DRAWN BY: JAR **CD-107**

NOT FOR CONSTRUCTION



PLAN VIEW CROSS-SECTION

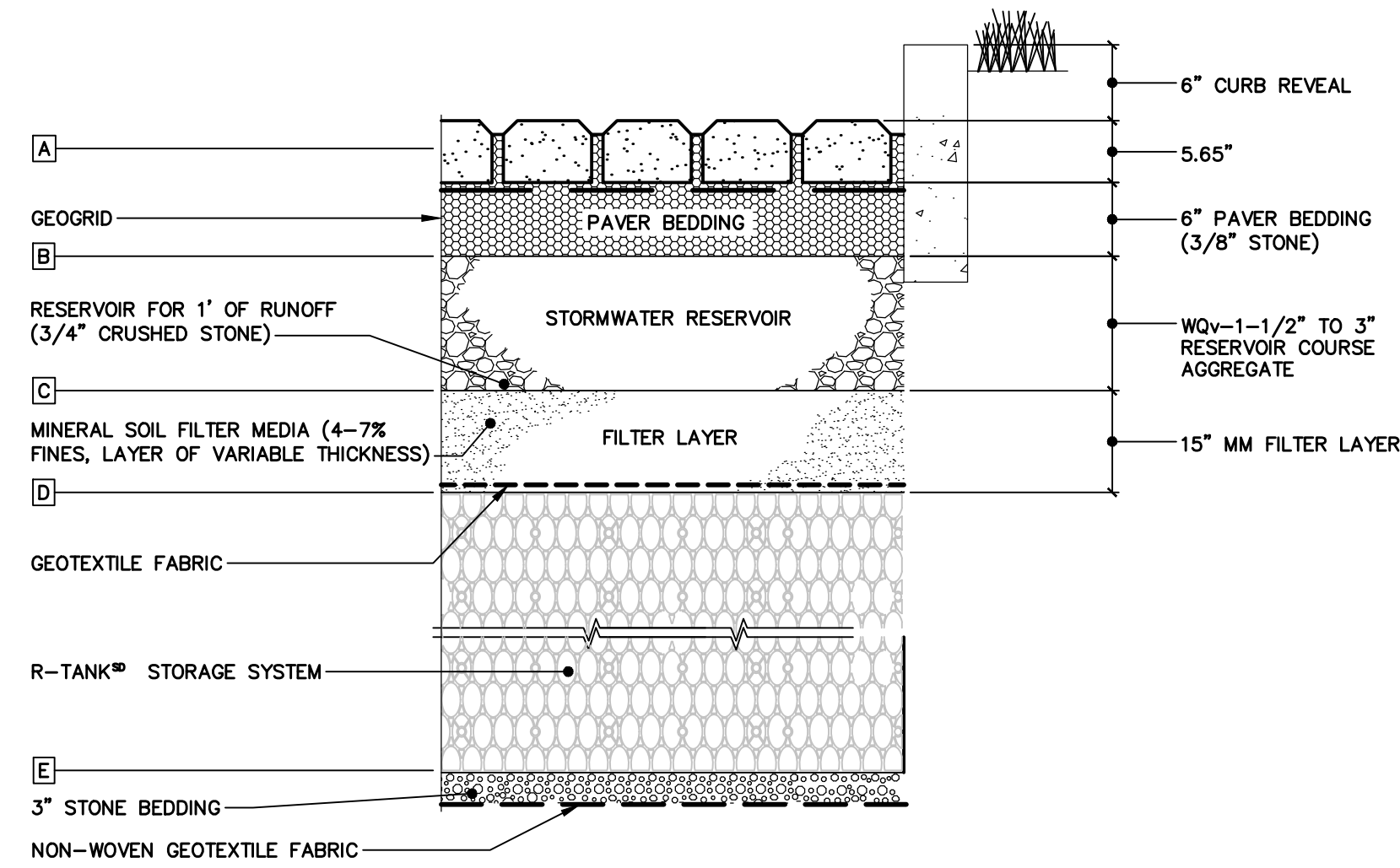


GRASSED UNDERDRAIN SOIL FILTER ELEVATIONS

GSF	1A	1B	2	3	4	5	6	7	8	9	11	12	13	15	16	18A	18B	24
A	68.00	67.50	59.00	57.00	56.00	55.00	50.00	56.00	58.50	64.00	63.00	62.50	63.00	65.00	65.00	58.00	58.00	42.00
B	66.30	66.90	57.60	55.75	55.10	54.60	48.20	54.70	57.60	62.95	62.00	61.90	62.00	64.40	64.40	57.40	57.90	40.60
C	65.75	65.50	56.75	54.75	54.50	54.00	47.50	54.00	56.50	62.00	61.00	61.00	61.00	63.50	63.50	57.00	57.00	39.75
D	64.25	64.00	55.25	53.25	53.00	52.50	46.00	52.50	55.00	60.50	59.50	59.50	59.50	62.00	62.00	55.50	55.50	38.25
E	63.00	62.75	54.00	52.00	51.75	51.25	44.75	51.25	53.75	59.25	58.25	58.25	58.25	60.75	60.75	54.25	54.25	37.00
F	62.75	62.50	53.75	51.75	51.50	51.00	44.50	51.00	53.50	59.00	58.00	58.00	58.00	60.50	60.50	54.00	54.00	36.75

GRASSED UNDERDRAIN SOIL FILTER

SCALE: N.T.S. SOURCE: MDEP LAST UPDATED: 05/2016



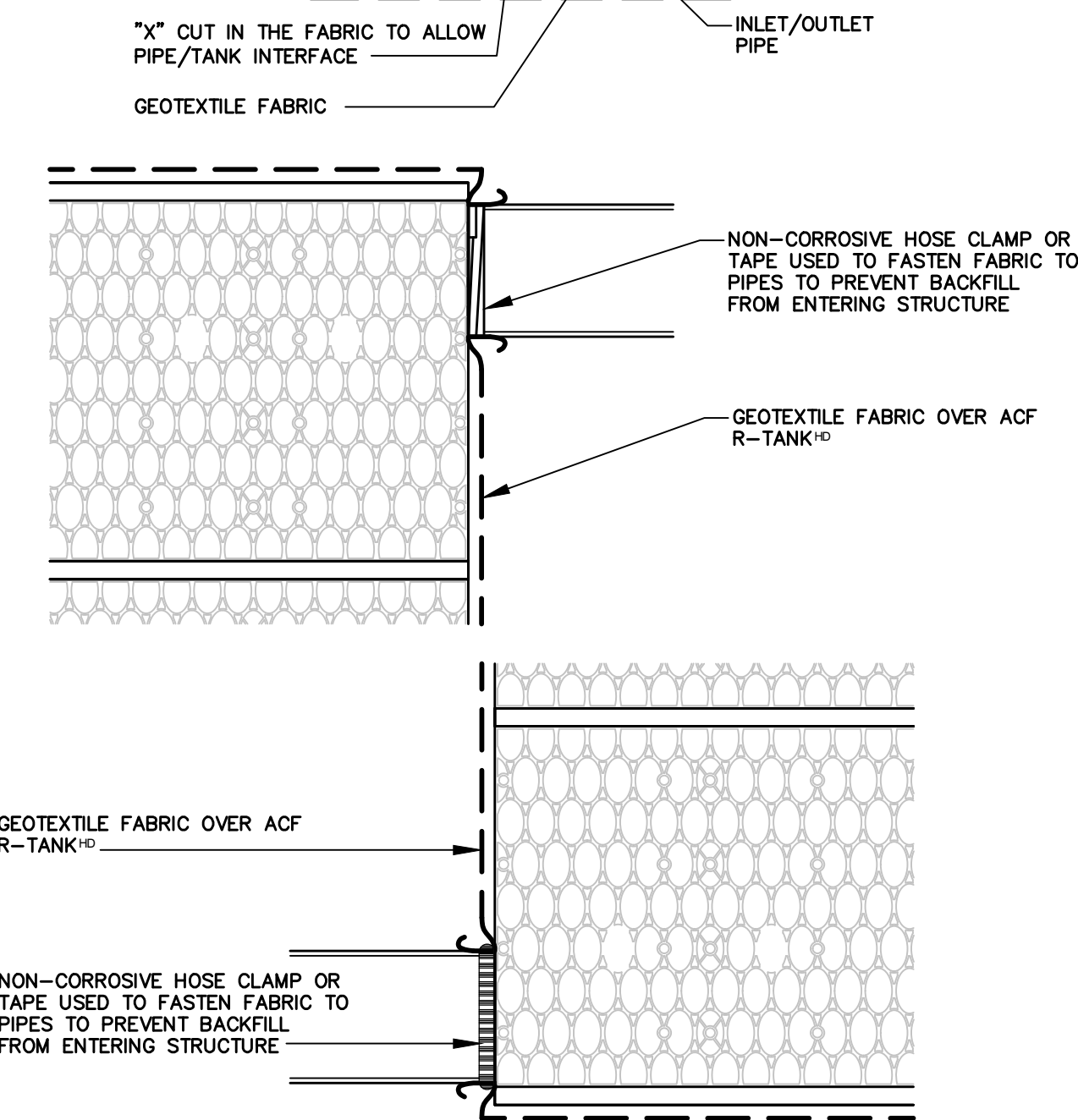
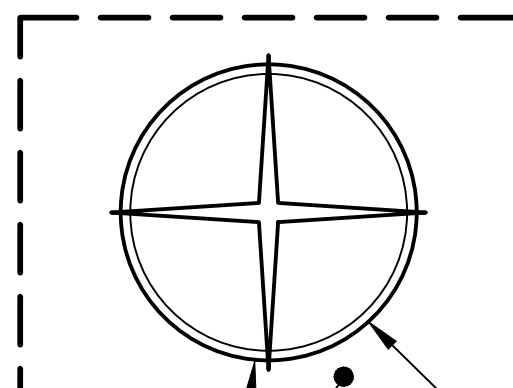
Manmade Pervious Paver Elevations

MPP	10	14	19	21	22	26	30	50
A	65.40	60.25	58.90	58.80	58.82	38.29	35.00	58.65
B	64.43	59.28	57.93	57.83	57.85	37.32	34.03	57.68
C	63.53	58.28	57.13	56.78	57.10	36.67	33.03	56.63
D	62.28	57.03	55.88	55.53	55.85	35.42	31.78	55.38
E	61.48	56.23	55.08	54.73	55.05	34.62	30.98	54.58
F	61.23	55.98	54.83	54.48	54.80	34.37	30.73	54.33

MANMADE PERVIOUS PAVERS CROSS-SECTION

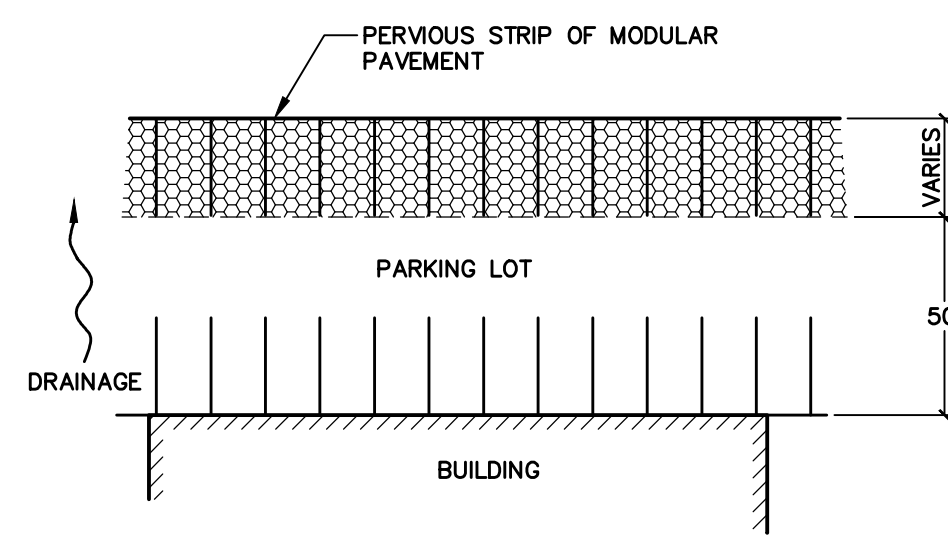
SCALE: N.T.S. SOURCE: MDEP LAST UPDATED: 05/2016

END VIEW OF PIPE/FABRIC CONNECTION. CUT AN "X" IN THE FABRIC SLIGHTLY LARGER THAN PIPE. PULL THE FABRIC AROUND THE PIPE TO CREATE THE "BOOT" AND THEN SECURE WITH A HOSE-CLAMP



R-TANK^{SD} TYPICAL TANK INLET/OUTLET

SCALE: N.T.S. SOURCE: 151.06094 LAST UPDATED: 04/2019

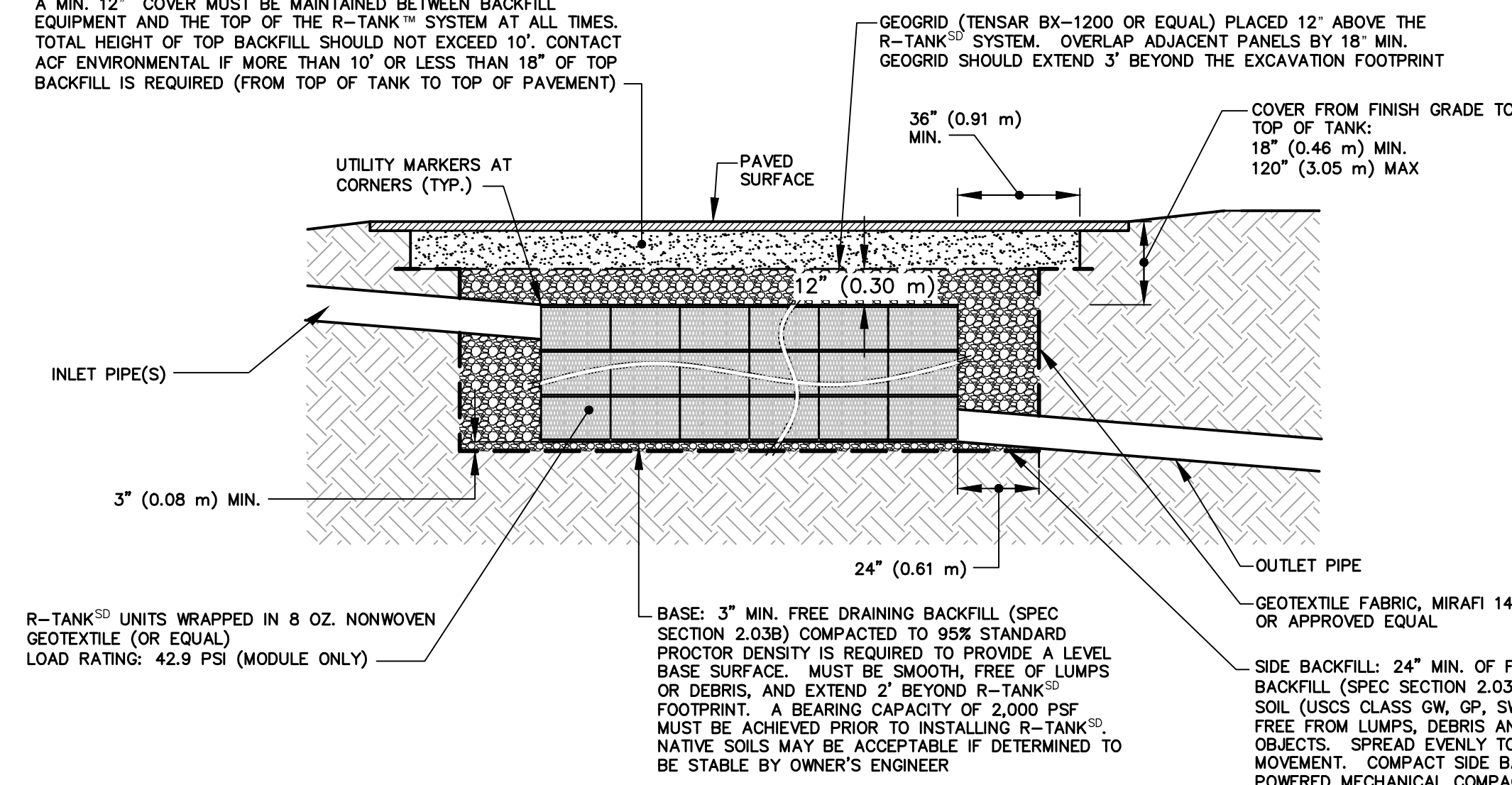


MANMADE PERVIOUS PAVERS-PLAN VIEW

SCALE: N.T.S. SOURCE: MDEP LAST UPDATED: 05/2016

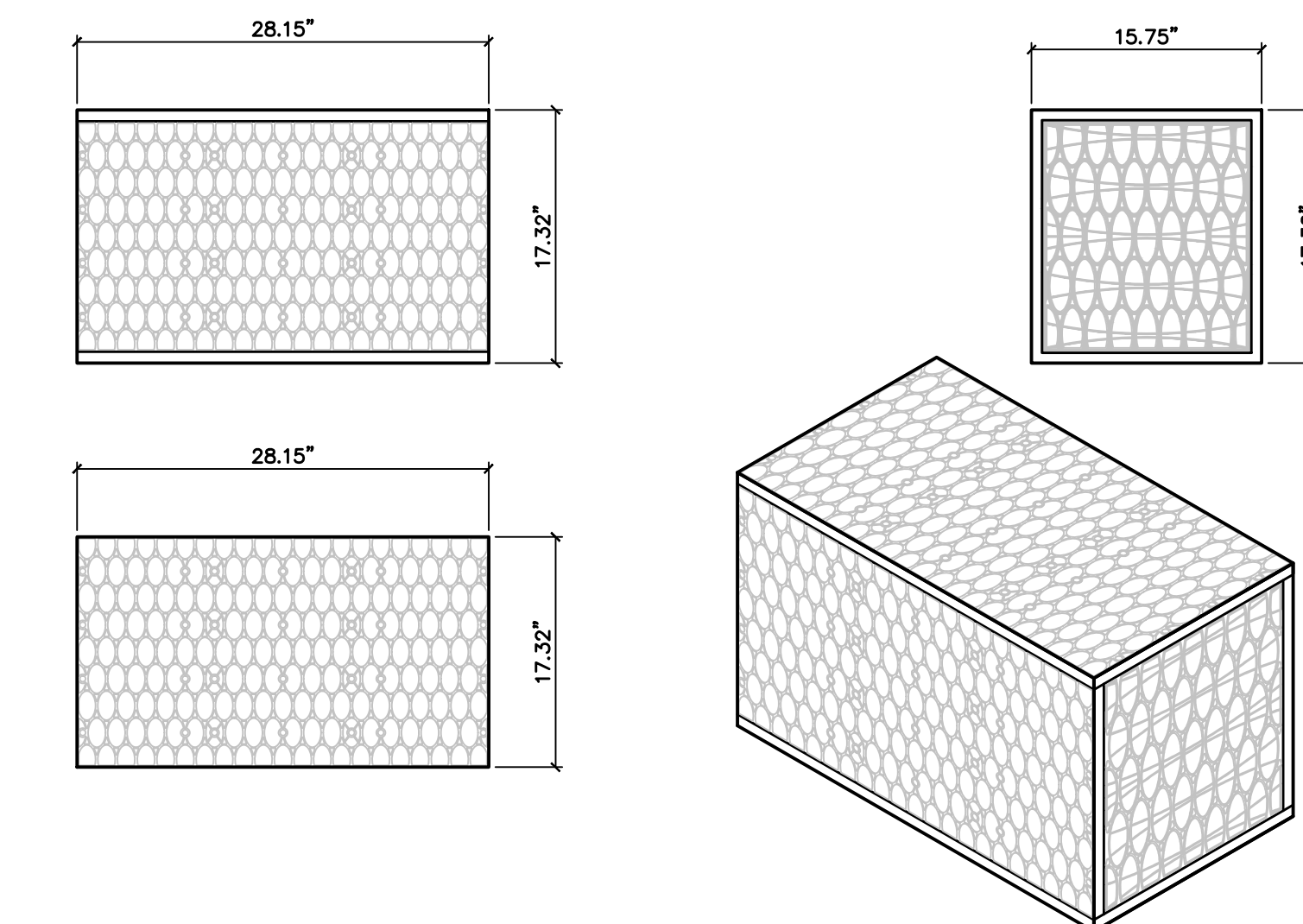
TOTAL COVER: 18' MINIMUM AND 120' MAXIMUM. FIRST 12' MUST BE FREE DRAINING BACKFILL (SPEC SECTION 2.03B): STONE <1.5\"/>

- NOTES:
- FOR COMPLETE MODULE DATA, SEE APPROPRIATE R-TANK^{SD} MODULE SHEET
 - INSTALLATIONS PER THIS DETAIL MEET GUIDELINES OF H20 LOADING PER THE 1983, 13TH EDITION OF THE AMERICAN ASSOCIATION OF STATE, HIGHWAY AND TRAFFIC OFFICIALS (AASHTO) STANDARD SPECIFICATIONS
 - PRE-TREATMENT STRUCTURES NOT SHOWN



R-TANK^{SD}-HS-20 LOADS

SCALE: N.T.S. SOURCE: 151.06094 LAST UPDATED: 04/2019

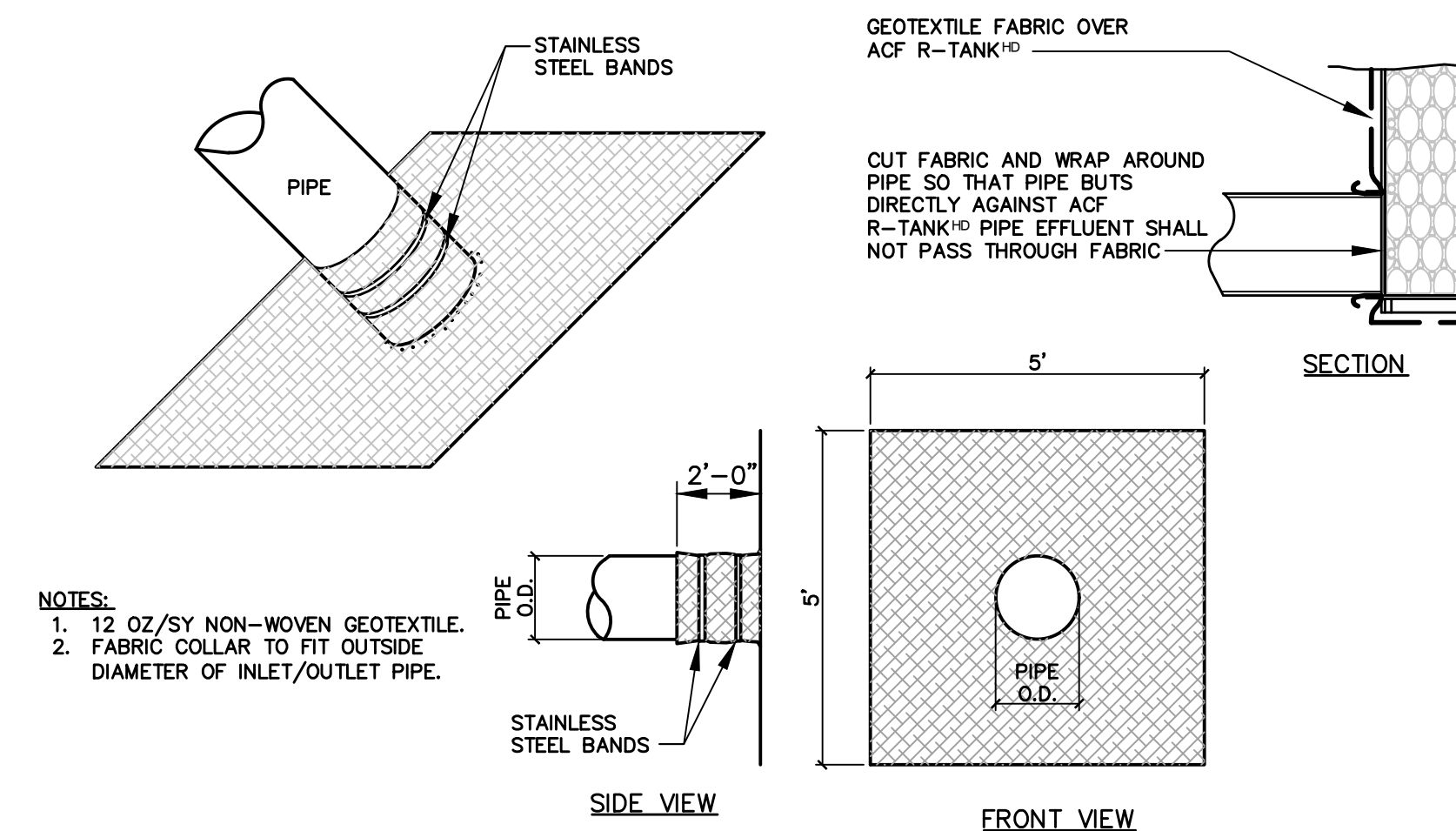


MODULE DATA

GEOMETRY: LENGTH = 28.15 IN. (715 MM)	LOAD RATING: 40 PSI, (MODULE ONLY)
WIDTH = 15.75 IN. (400 MM)	HS25, (WITH ACF COVER SYSTEM)
HEIGHT = 17.32 IN. (440 MM)	
STORAGE VOLUME = 4.22 CF (119 L)	MATERIAL: 85% RECYCLED POLYPROPYLENE
VOID INTERNAL VOLUME: 95%	
VOID SURFACE AREA: 90%	

R-TANK^{SD}-SINGLE MODULE DETAIL

SCALE: N.T.S. SOURCE: 151.06094 LAST UPDATED: 04/2019



NOTES:

- 12 OZ/SY NON-WOVEN GEOTEXTILE.
- FABRIC COLLAR TO FIT OUTSIDE DIAMETER OF INLET/OUTLET PIPE.

FABRIC PIPE BOOT FOR R-TANK^{SD}

SCALE: N.T.S. SOURCE: 151.06094 LAST UPDATED: 04/2019

RANSOM Consulting Engineers and Scientists
 41 Hutchins Drive
 Portland, Maine 04102
 800.426.4262 | www.woodardcurran.com
 COMMITMENT & INTEGRITY DRIVE RESULTS

REV	DESCRIPTION	DATE
0	ISSUED FOR PERMIT	5-14-19

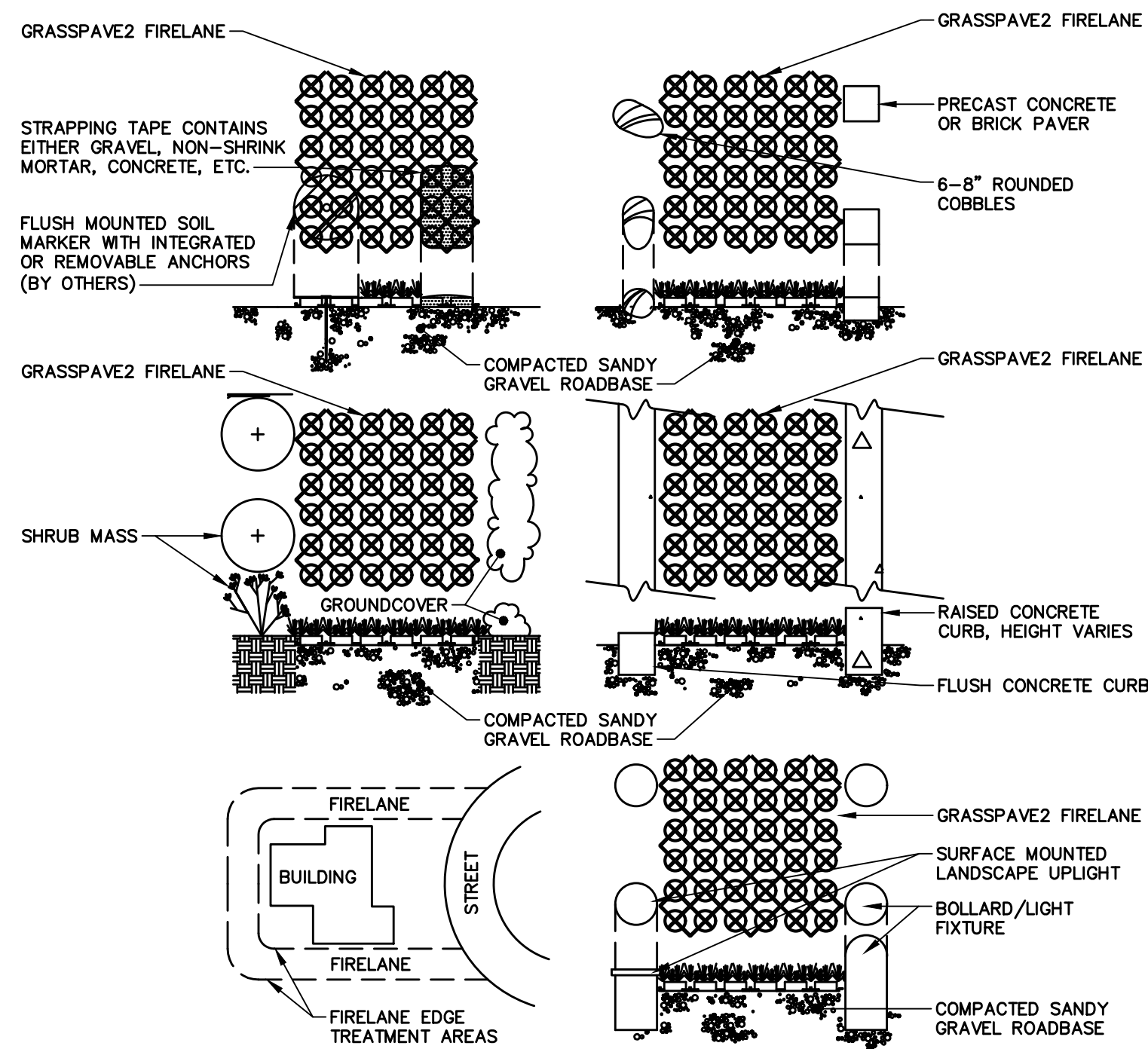
ISSUED FOR PERMIT
5-14-19
CURRENT ISSUE STATUS:

TRUE NORTH:
 SMRT Architects and Engineers
 144 Fore Street
 Portland, Maine 04104
 1.877.700.7678
 www.smrtinc.com

ARCHITECTURE | ENGINEERING | PLANNING | INTERIORS | ENERGY
SMRT

**NORDIC AQUAFARMS
MULTIPHASE PROJECT**
 158 HIGH STREET, BELFAST, MAINE
CONSTRUCTION DETAILS

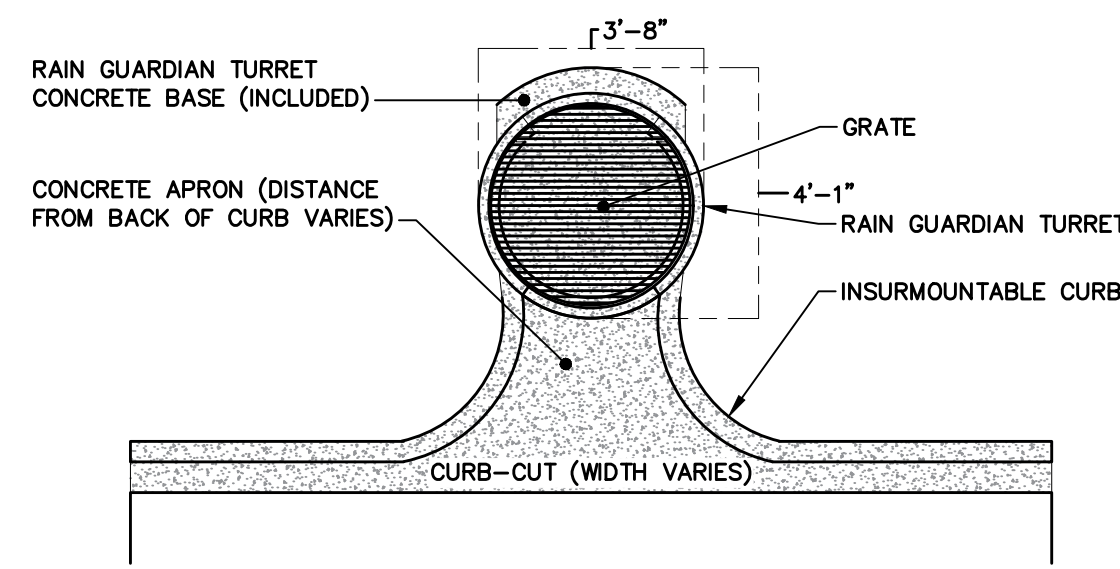
PROJECT MANAGER: MPM PROJECT NO: 171.05027
 DRAWN BY: JAR
CQ-501



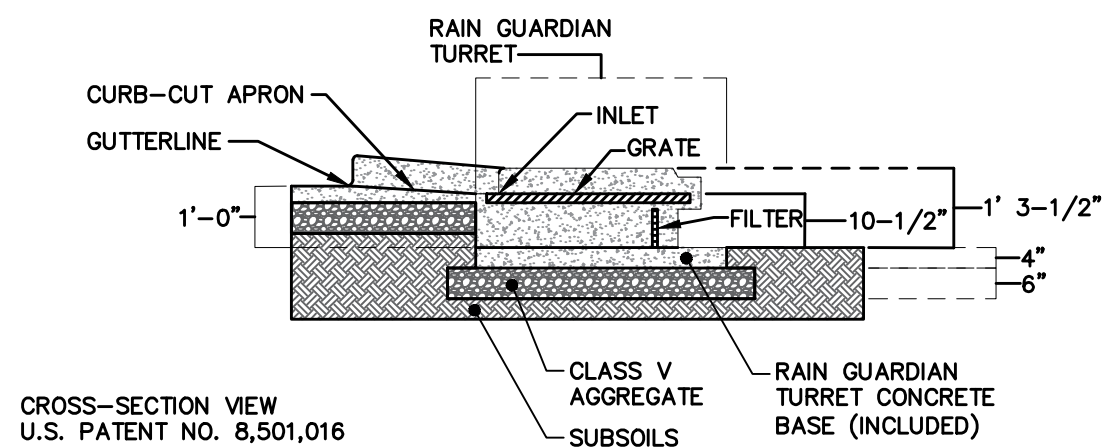
NOTE:
THIS DETAIL IS SCHEMATIC IN NATURE. DESIGNER SHALL SPECIFY SPACING AND DESIGN OF EDGE TREATMENTS. SPACING WILL VARY WITH TURF TYPE, SLOPE, FIRE DEPARTMENT REQUIREMENTS, ETC..

GRASSPAVE2 FIRELANE BY INVISIBLE STRUCTURES, INC.

SCALE: N.T.S. SOURCE: INVISIBLE STRUCTURES, INC. LAST UPDATED: 05/2019



PLAN VIEW
U.S. PATENT NO. 8,501,016



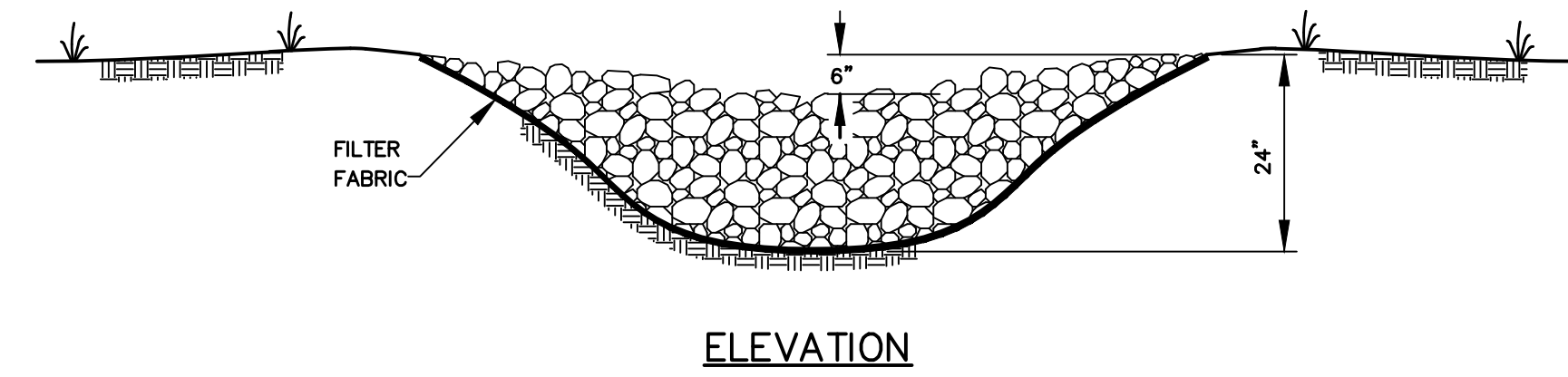
CROSS-SECTION VIEW
U.S. PATENT NO. 8,501,016

SPECIFICATIONS:

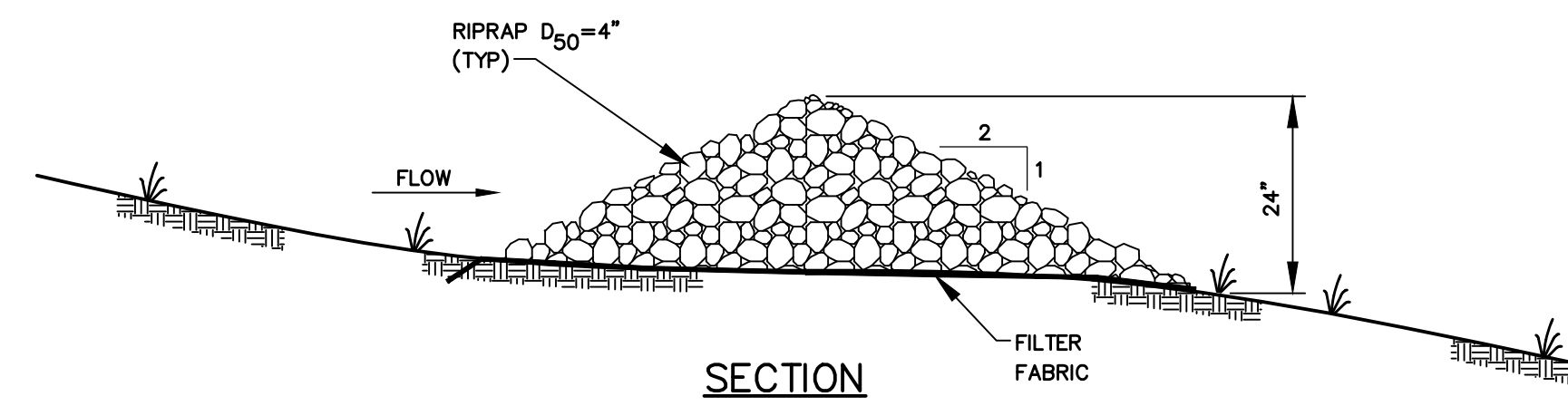
1. STEEL REINFORCED, COLD JOINT SECURED MONOLITHIC CONCRETE STRUCTURE (1,030 LBS).
2. CONCRETE SHALL HAVE A MINIMUM COMPRESSIVE STRENGTH OF 4,000 PSI AT 28 DAYS. CONCRETE AIR ENTRAINED (4 PERCENT TO 8 PERCENT BY VOLUME).
3. MANUFACTURED AND DESIGNED TO ASTM C858.
4. THREE-POINT PICK USING RECESSED LIFTING POCKETS WITH A STANDARD HOOK.
5. SOIL UNDER BASE TO BE COMPACTED TO 95 PERCENT STANDARD PROCTOR.
6. TWO-PIECE LIGHT-DUTY GALVANIZED GRATE (34.5 LBS/PIECE) FOR 541 LB CONCENTRATED LOAD OR 309 LB/SQFT UNIFORM LOAD.
7. TWO-PIECE HEAVY-DUTY GALVANIZED GRATE (77.5 LBS/PIECE) FOR 2,456 LB CONCENTRATED LOAD OR 1,404 LB/SQFT UNIFORM LOAD.
8. USE EXPANSION JOINT MATERIAL BETWEEN TURRET AND BIORETENTION INLET.

RAIN GUARDIAN - TURRET - TYPICAL DETAIL

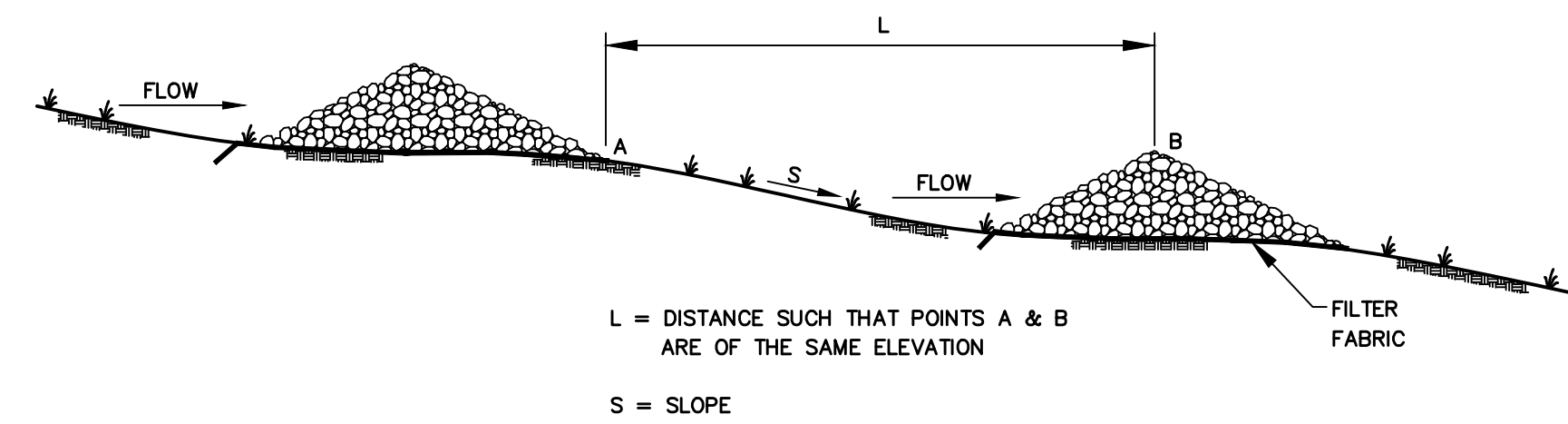
SCALE: N.T.S. SOURCE: MDEP LAST UPDATED: 05/2016



ELEVATION



SECTION



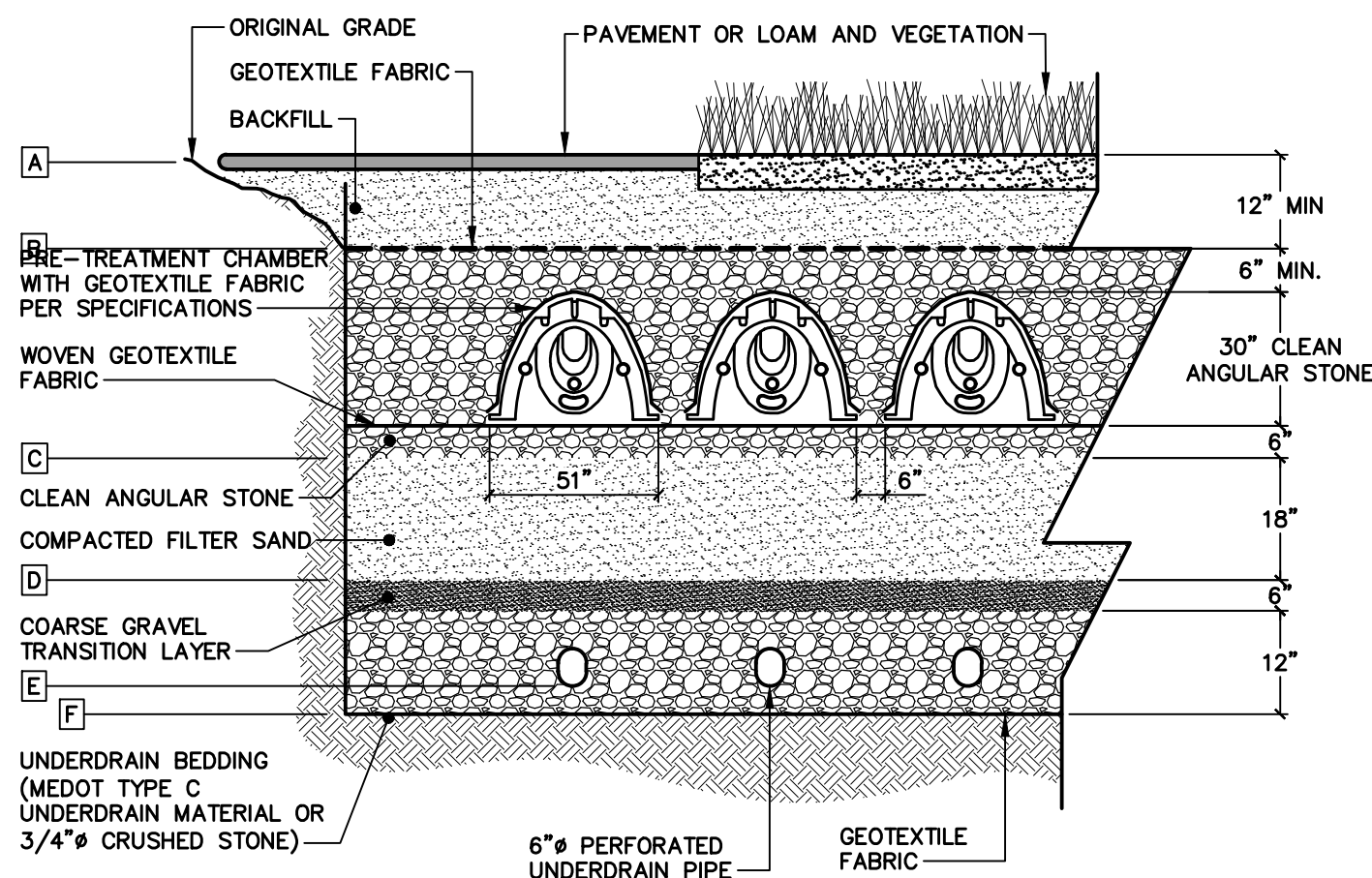
L = DISTANCE SUCH THAT POINTS A & B ARE OF THE SAME ELEVATION
S = SLOPE

S (FT/FT)	L (FT)
0.020	100
0.030	66
0.040	50
0.050	40
0.080	25
0.100	20
0.120	17
0.150	13

STONE CHECK DAM

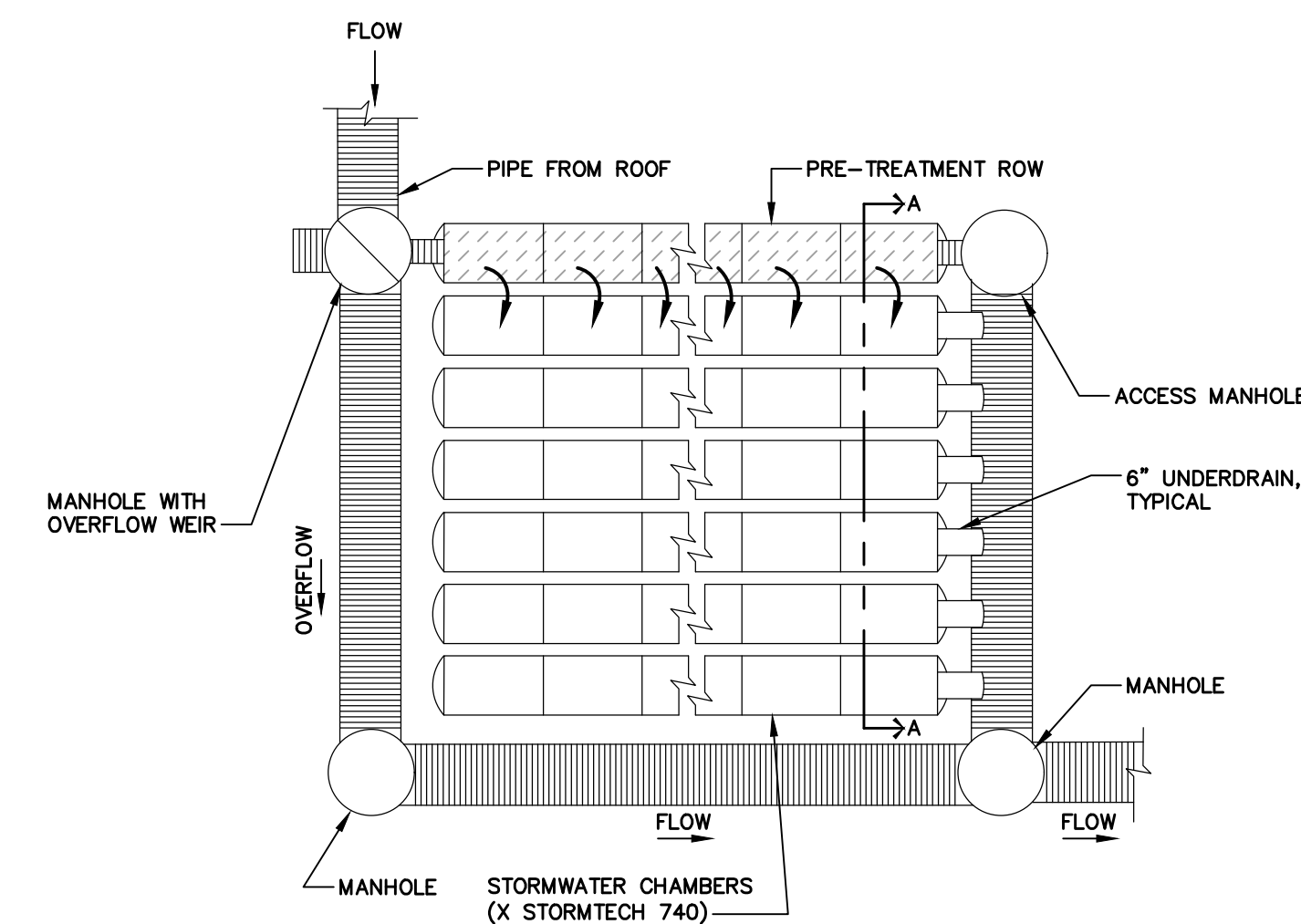
SCALE: N.T.S. SOURCE: MDEP LAST UPDATED: 05/2016

	B1M1	B1M2	B1M3	B2M4	B2M5	B2M6	B6 (oxygen)	B5 (CUP)
SSF	36	37	38	39	40	41	42	43
A	68.10	66.68	65.45	57.00	57.00	51.00	63.00	61.90
B	66.27	64.85	63.62	55.67	55.67	49.67	61.67	60.90
C	62.77	61.35	60.12	52.17	52.17	46.17	58.17	57.40
D	61.27	59.85	58.62	50.67	50.67	44.67	56.67	55.90
E	60.02	58.60	57.37	49.42	49.42	43.42	55.42	54.65
F	59.77	58.35	57.12	49.17	49.17	43.17	55.17	54.40



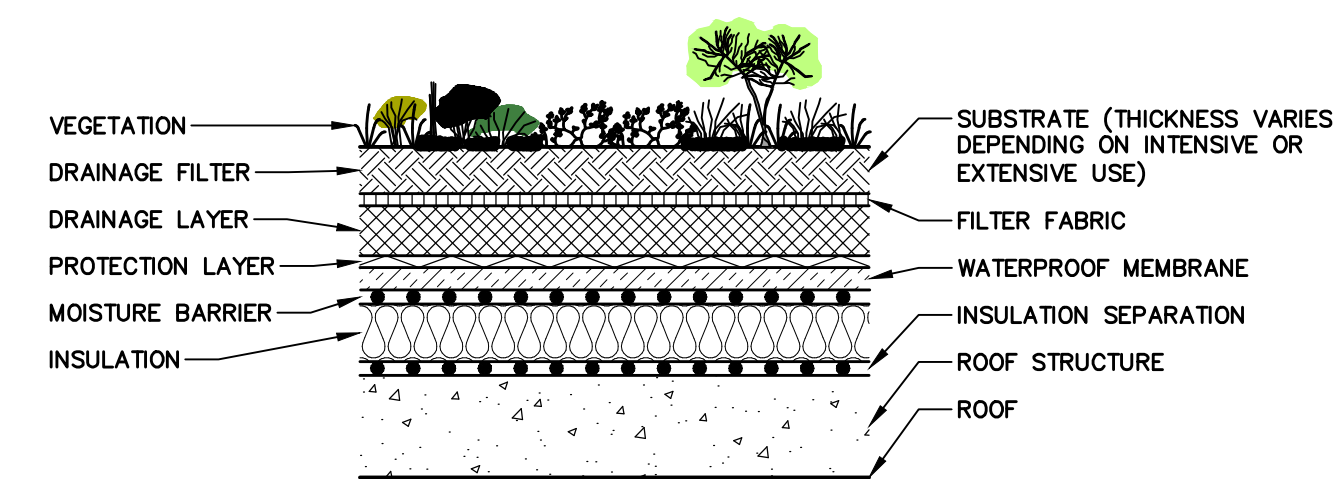
SUBSURFACE SAND FILTER - SECTION A-A

SCALE: N.T.S. SOURCE: MDEP LAST UPDATED: 05/2016



PRETREATMENT ROW - PLAN VIEW

SCALE: N.T.S. SOURCE: MDEP LAST UPDATED: 05/2016



GROWING MEDIUM: THE VEGETATION SUPPORT COURSE SHOULD ACCOMMODATE A DENSE ROOT STOCK AND HAVE ALL THE PHYSICAL, CHEMICAL, AND BIOLOGICAL PROPERTIES NEEDED FOR PLANT GROWTH. AVAILABLE MATERIALS INCLUDE:

- SOIL MIXTURES - IMPROVED TOP AND UNDERLYING SOIL
- AGGREGATE MIXTURES - MINERAL AGGREGATE MIXTURES WITH HIGH OR LOW ORGANIC CONTENT OR WITH AN OPEN-PORE GRANULAR STRUCTURE WITH NO ORGANIC CONTENT.
- SUBSTRATE BOARDS - BOARDS MADE FROM MODIFIED FOAM MATERIALS OR MINERAL FIBERS.
- VEGETATION MATTING - MATTING WITH MINERAL/ORGANIC AGGREGATE MIXTURES. THE ORGANIC CONTENT OF THE VEGETATION SUPPORT COURSE SHOULD BE AS SHOWN ON TABLE 7.6.1.

TYPE OF GREENING	SUBSTRATE DENSITY	ORGANIC CONTENT
INTENSIVE GREENING	<0.8	<12% BY MASS
EXTENSIVE GREENING	>0.8	<6% BY MASS
MULTIPLE-COURSE CONSTRUCTION	<0.8	<8% BY MASS
SINGLE-COURSE CONSTRUCTION	>0.8	<6% BY MASS
SINGLE-COURSE CONSTRUCTION	N/A	<4% BY MASS

VEGETATED ROOF CROSS-SECTION

SCALE: N.T.S. SOURCE: MDEP LAST UPDATED: 05/2016

RANSOM Consulting Engineers and Scientists
41 Hutchins Drive
Portland, Maine 04102
800.426.4262 | www.woodardcurran.com
COMMITMENT & INTEGRITY DRIVE RESULTS

REV	DESCRIPTION	DATE
0	ISSUED FOR PERMIT	5-14-19

ISSUED FOR PERMIT
5-14-19

CURRENT ISSUE STATUS:
TRUE NORTH:
SMRT Architects and Engineers
144 Fore Street
Portland, Maine 04104
1.877.700.7678
www.smrtinc.com

ARCHITECTURE | ENGINEERING | PLANNING | INTERIORS | ENERGY
SMRT

NORDIC AQUAFARMS MULTIPHASE PROJECT

158 HIGH STREET, BELFAST, MAINE
CONSTRUCTION DETAILS

PROJECT MANAGER: MPM PROJECT NO: 171.05027
DRAWN BY: JAR
CQ-502