

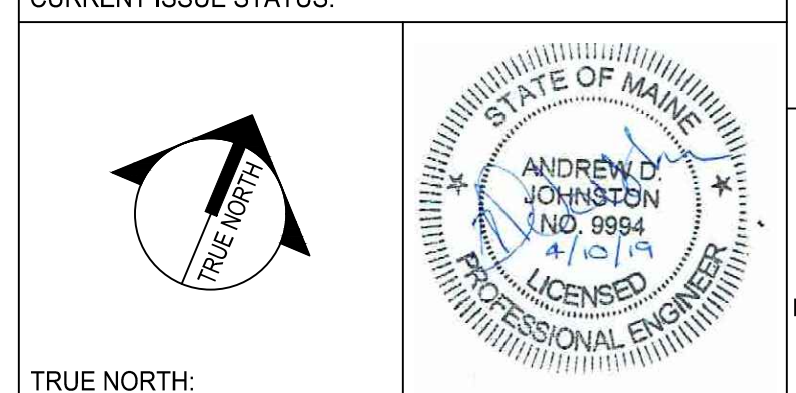
G2 SEDIMENT BASIN OUTLET CONTROL STRUCTURE

E15 SEDIMENT BASIN 1 AND SEDIMENT BASIN 2 PLAN VIEW

1"=30'

REV	DESCRIPTION	DATE
0	NRPA-PRINT FOR NAF REVIEW	4-29-19

NRPA-PRINT FOR NAF REVIEW  
4-29-19



TRUE NORTH:

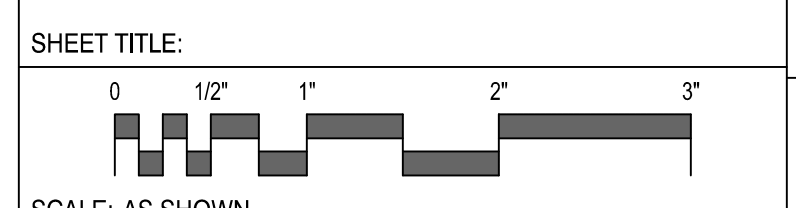
SMRT Architects and Engineers  
144 Fore Street  
Portland, Maine 04104  
1.877.700.7678  
www.smrinc.com

ARCHITECTURE | ENGINEERING | PLANNING | INTERIORS | ENERGY

**RANSOM** Consulting Engineers and Scientists  
Ransom Consulting Engineers and Scientists  
400 Commercial Street, Suite 400  
Portland, Maine 04101

NORDIC AQUAFARMS  
285 NORTHPORT AVENUE

BELFAST, MAINE  
EROSION & SEDIMENT CONTROL DETAILS

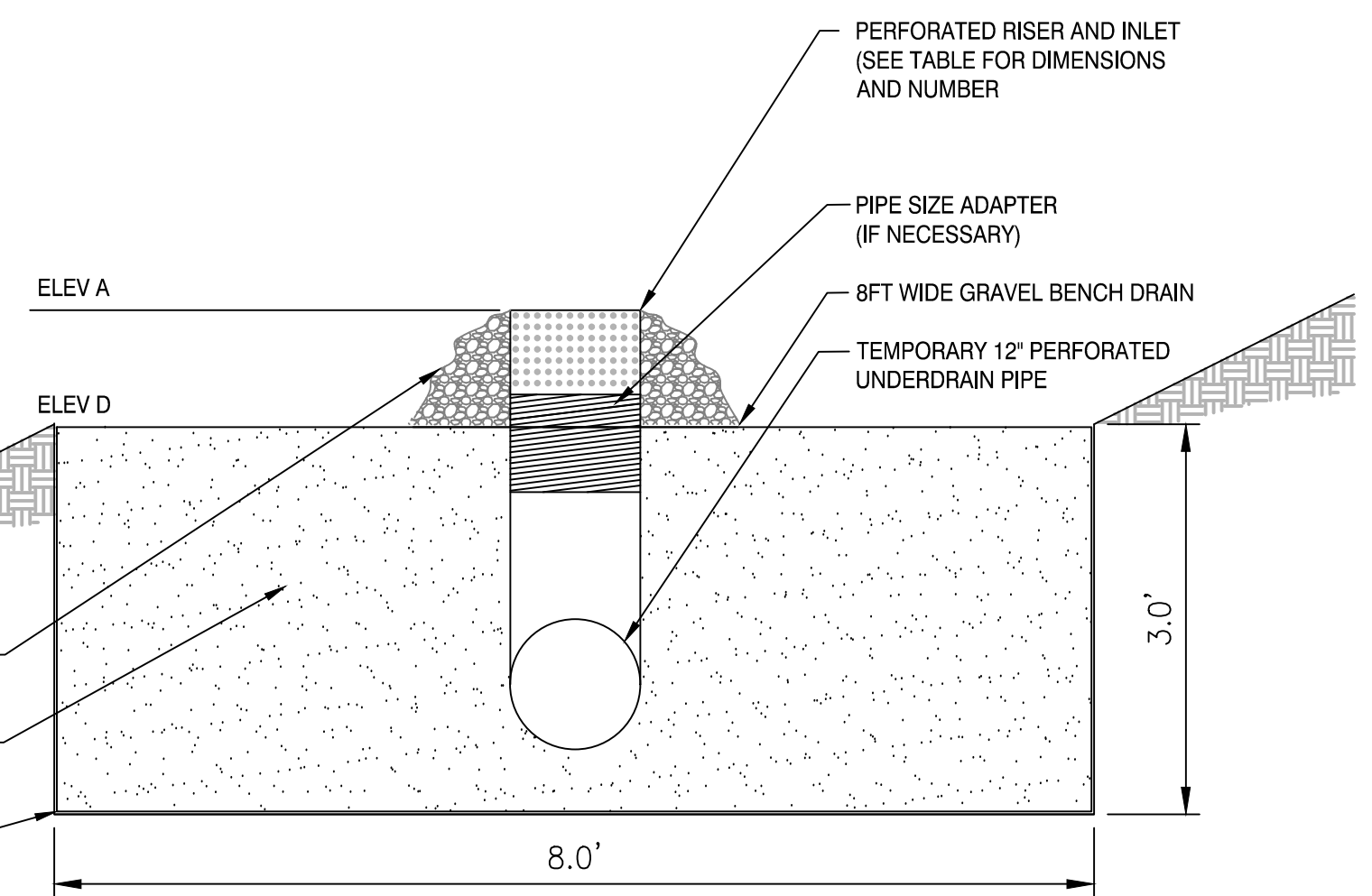


SCALE: AS SHOWN

PROJECT MANAGER: ADB PROJECT NO: 18076  
A/E OF RECORD:  
JOB CAPTAIN: SP  
DRAWN BY: WSM  
SMRT FILE: CE501-18076 SHEET No. CE503

A15 SEDIMENT BASIN GRAVEL BENCH DRAIN OUTLET

	BASIN NUMBER			
	1	2	3	4
ELEVATION A	62.67	62.00'	57.50'	48.50'
ELEVATION D	62.00'	61.50'	57.00'	48.00'
RISER DIA.	12"	10"	12"	12"
# OF RISERS	1	2	4	2



NOTE:  
BAFFLES MAY BE NECESSARY TO ENSURE ADEQUATE FLOW LENGTH BETWEEN INLETS & OUTLETS (SEE PLAN VIEW FOR LOCATION). BAFFLES SHALL COMPRISE 4"x4" POSTS @ 8.0' OC W/ 1/2" PLYWOOD BOARD.

A7 SEDIMENT BASIN EMERGENCY OVERFLOW WEIR

